

COASTAL CONTEMPORARY



PRELIMINARY ARTIST'S CONCEPT

SANTA BARBARA



PRELIMINARY ARTIST'S CONCEPT

CONTEMPORARY



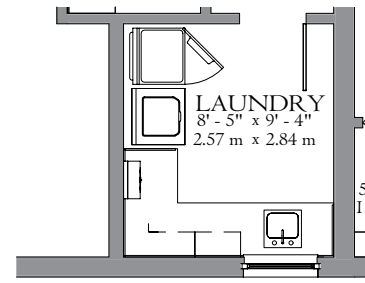
PRELIMINARY ARTIST'S CONCEPT

MODEL FLOORPLAN
& OPTIONS

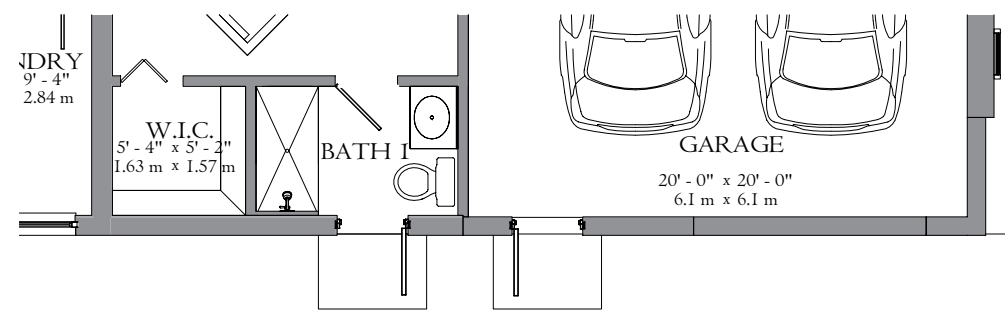
INLET

2-STORY
4 BEDROOMS
3.5 BATHROOMS
2-CAR GARAGE
3,985 AC SQ. FT.
5,061 TOTAL SQ. FT.

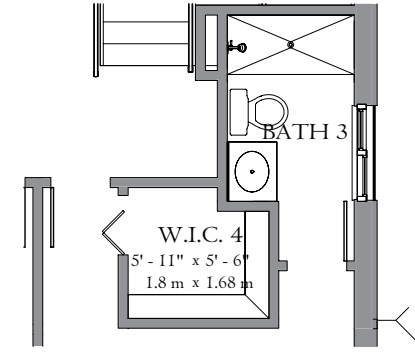
INLET OPTIONS



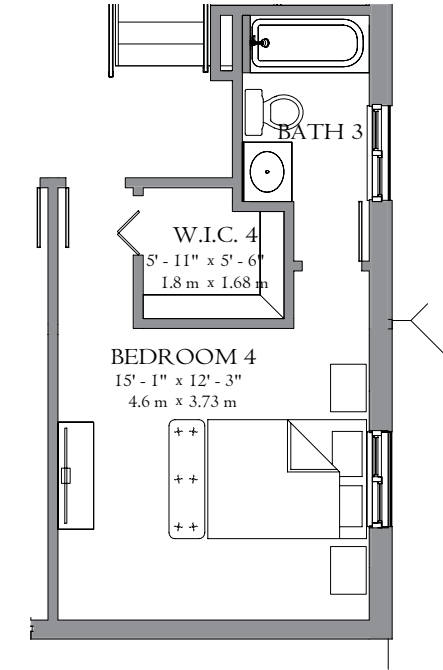
SINK AND CABINETS AT LAUNDRY



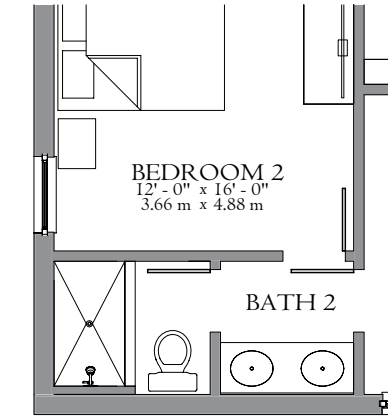
DOOR AND SHOWER AT BATH I & DOOR AT TWO CAR GARAGE



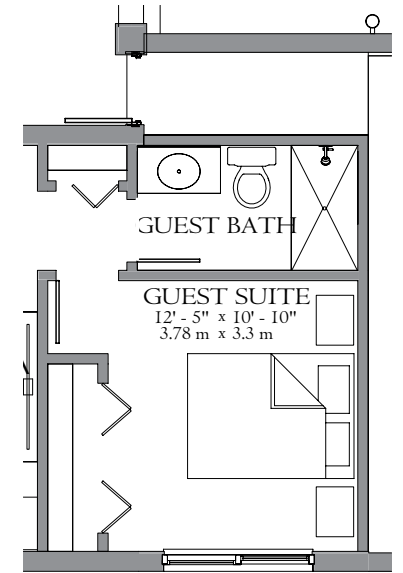
SHOWER IN LIEU OF TUB
AT 4TH BEDROOM



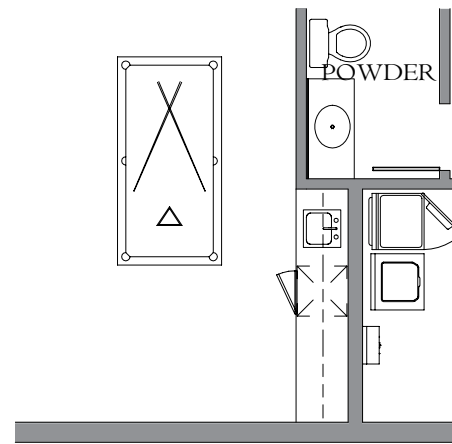
BEDROOM 4 IN LIEU OF LOFT



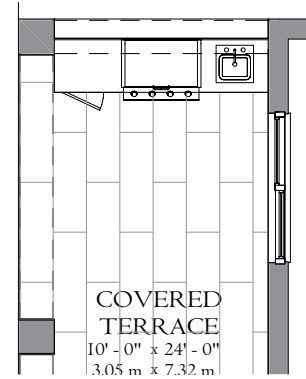
SHOWER AT BATH 2



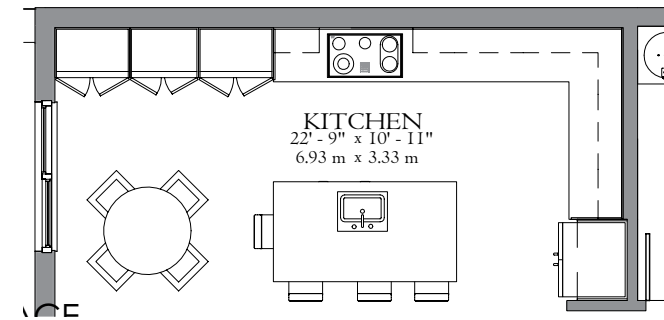
SHOWER ILO TUB AT GUEST BATH



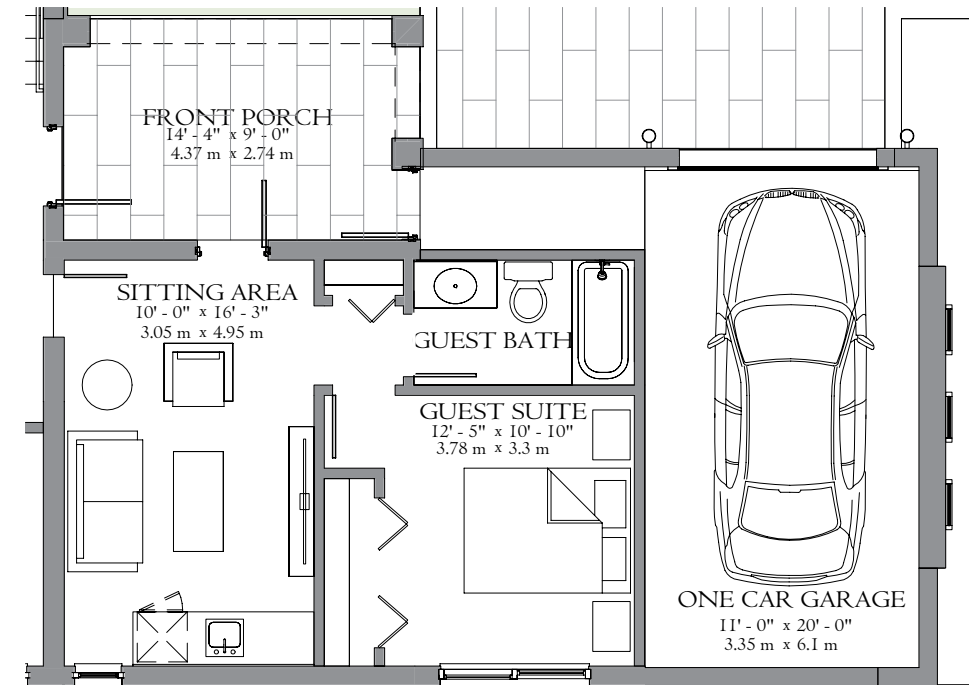
WET BAR AT GREAT ROOM



SUMMER KITCHEN



CABINET PANTRY AT KITCHEN



CASITA IN LIEU OF 3RD CAR GARAGE

